



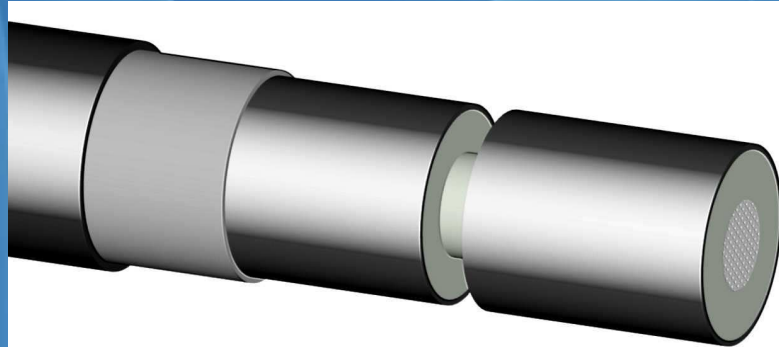
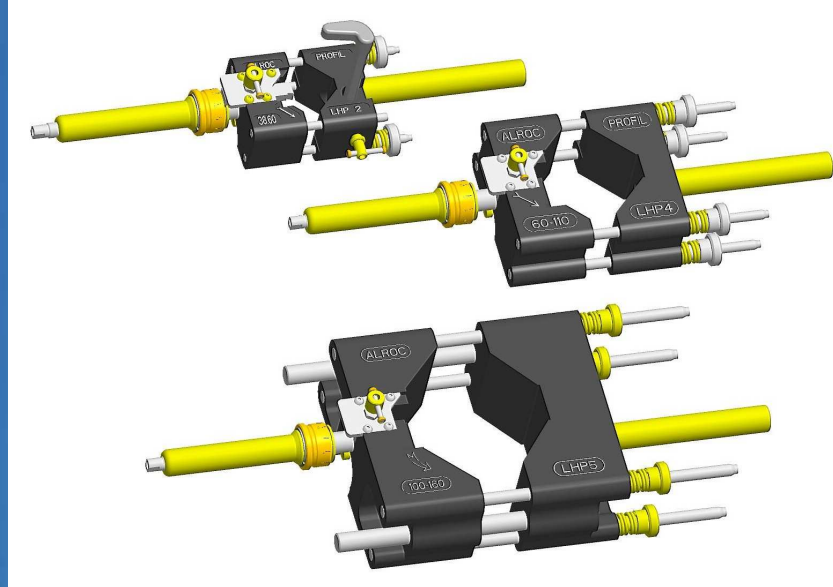
ALROC - HV - Insulation LHP2 - LHP4 - LHP5

ISO 9001

BUREAU VERITAS
Certification



L
H
P



ALROC

Z.I de la
fonderie
72160 Tuffé
France

Phone :
33.(0)2.43.71.11.80
Fax :
33.(0)2.43.71.16.51
Web : www.alroc.fr
E-mail :
commercial@alroc.fr
info@alroc.fr

FUNCTIONS

LHP tools allow to remove one semi-conductor and insulation part to form a channel or a groove form.

CHARACTERISTICS

- ☞ Realization of a channel in the insulation.
- ☞ Delivered in a wooden box (under request).
- ☞ Blades and thrust are sold separately.

LHP
CHOICE

Insulation Ø	Ref :	Weight
38 mm to 60 mm	LHP2	2,7 kg
60 mm to 110 mm	LHP4	4,5 kg
100 mm to 160 mm	LHP5	10,5 kg