



# ALROC - MV - MULTIFUNCTION MF2/40 - MF2/60

ISO 9001

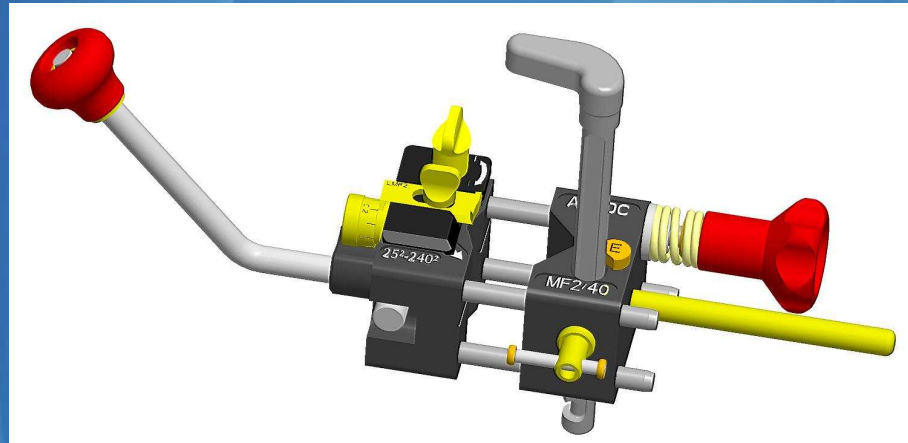
BUREAU VERITAS  
Certification



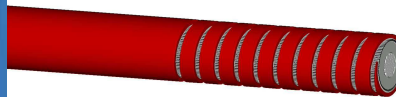
M  
F  
2/

MF2/40

MF2/60



Outer sheath



Insulation



**ALROC**

Z.I de la  
fonderie  
72160 Tuffé  
France

Phone :  
33. (0)2.43.71.11.80  
Fax :  
33.(0)2.43.71.16.51  
Web : [www.alroc.fr](http://www.alroc.fr)  
E-mail:  
[commercial@alroc.fr](mailto:commercial@alroc.fr)  
[info@alroc.fr](mailto:info@alroc.fr)

## FUNCTIONS

Adjustable multifunction tool which allows to perform on cables PE PVC and PR outer sheath and insulation an helicoidal and regular cutting at the required length.

## CHARACTERISTICS

☞ Compatibility with cables C33-226, UTE C 33-223, NFC 33-223, HN 33 S 23

Model	MF2/40	MF2/60
Diameter	16 - 40 mm	16 - 58 mm
Sections	25 <sup>2</sup> - 240 <sup>2</sup>	25 <sup>2</sup> - 630 <sup>2</sup>
Length	150 mm	170 mm
Width	80 mm	90 mm
Height	100 mm	120 mm
Weight	1,240 Kg	1,400 Kg