



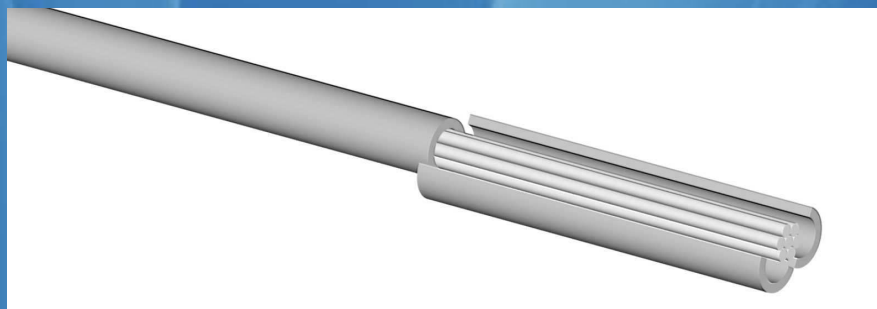
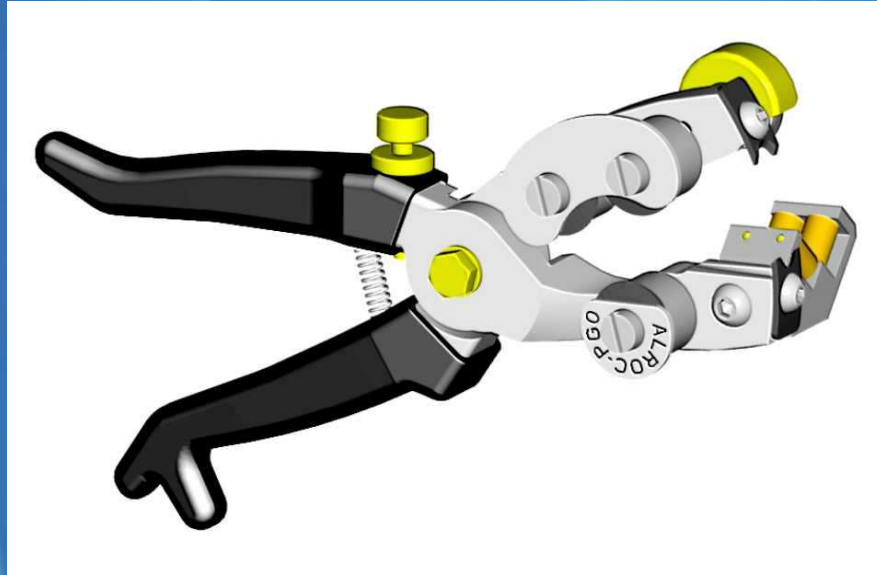
ALROC - LV - Twisted aerial PGOBT/1113

ISO 9001

BUREAU VERITAS
Certification



P
G
O
B
T



ALROC

Z.I de la
fonderie
72160 Tuffé
France

Phone :
33.(0)2.43.71.11.80
Fax :
33.(0)2.43.71.16.51
Web : www.alroc.fr
E-mail :
commercial@alroc.fr
info@alroc.fr

FUNCTIONS

PGO BT/1113 pliers allow to perform a longitudinal and circular cutting to remove PE - PVC and PR outer sheath.

CHARACTERISTICS

- ☞ Sheath cutting
- ☞ Capacity : Ø5 to 17mm on the outer sheath

L : 195 mm Weight: 360g
ℓ : 72 mm
H : 70 mm