



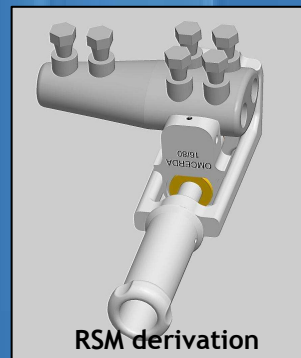
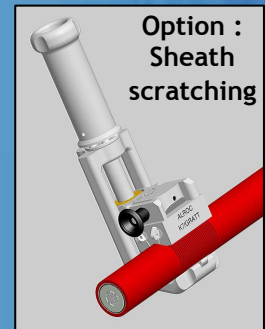
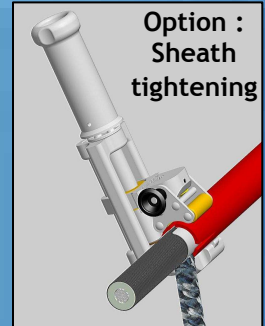
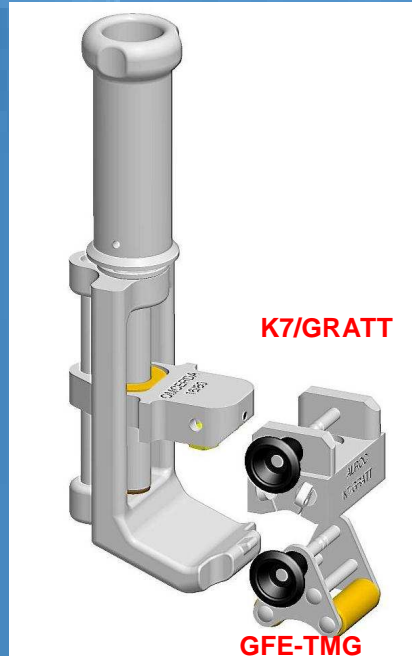
ALROC - MV - MULTIFONCTION ROTO-TMG

ISO 9001

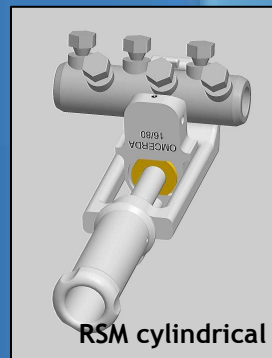
BUREAU VERITAS
Certification



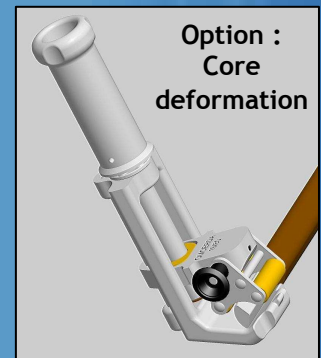
R
O
T
O
-
T
M
G



RSM derivation



RSM cylindrical



ALROC

Z.I de la
fonderie
72160 Tuffé
France

Phone :
33.(0)2.43.71.11.80

Fax :
33.(0)2.43.71.16.51

Web : www.alroc.fr

E-mail :
commercial@alroc.fr
info@alroc.fr

FUNCTIONS

ROTO-TMG tool allows to hold mechanical straight joint connectors.

GFE-TMG option allows to lightly deform the sectoral core from cable. It also allows to tighten the sheath into metallic tape.

K7/GRATT option allows to perform the outer sheath abrasion

CHARACTERISTICS

☞ Fast assembly and disassembly of the k7

☞ Cables :
C33-226 (Popy, Nikol and Vinyl)
UTE C33-223 (cable 2000)
NFC33-223 - HN33 S 23

☞ Capacity : 50mm² to 630mm²
Ø16 to 60mm

L : 255 mm Weight : 1.1 kg
ℓ : 85 mm
H : 90 mm