

Section _____

HV Outer sheath

Application _____

Field
Laboratory



PRODUCT BENEFITS

Neat and steady striping thanks to the back-Iron

TOOL CAPACITY

Diameter 60 - 160 mm
2,362 - 6,299 inch

Min depth machining of the sheath 2 mm / 0,078 in

TOOL DIMENSIONS

Length 640 mm

Width 226 mm

Height 113 mm

Weight without box 8,6 Kg

Packaging Case

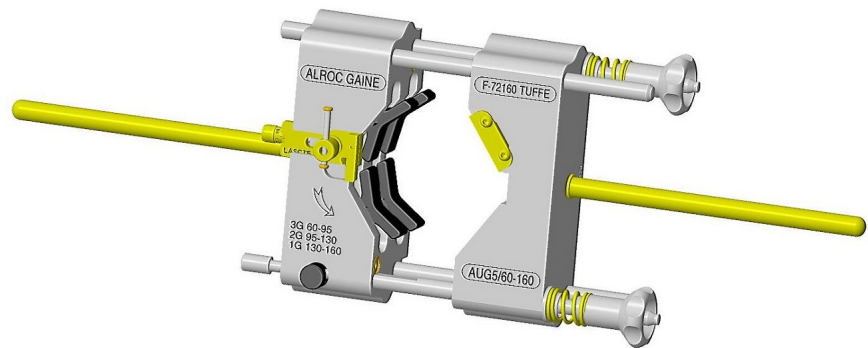
ALROC SAS

Z.I. de la Fonderie - 72160 TUFFE
FRANCE
Phone: +33 2 43 71 11 80
Fax number : +33 2 43 71 16 51
www.alroc.fr

Tool for semiconductive layer over outer sheath

TO DO WHAT

The CAUG5/60-160 enables the user to remove the semiconductive layer located over the outer sheath on HV cable



Spare part

LASCT5 - Spare blade for bonded semiconductor (with heel)

Associated tool

- DMSR/80-160 - HV cable outer sheath stripping tool
- EGA - HV and EHV cable's outer sheath and shield spreaders
- EV-HTB - HV and EHV cable's outer sheath and shield splitters

HV cables Tools

CAUG5/60-160



Part Number	Diameter	Tool capacity	Dimensions			Packaging
		Min depth machining of the sheath	Length	Width	Height	
CAUG5/60-160	60 - 160 mm 2,362 - 6,299 in	2 mm / 0,078 in	640 mm 25,197 in	226 mm 8,898 in	113 mm 4,449 in	case