



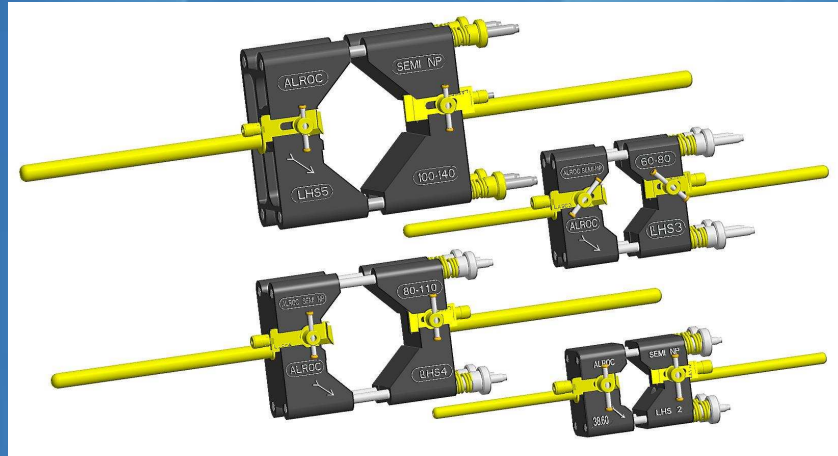
ALROC - HV - Bonded semi-conductor LHS2 - LHS3 - LHS4 - LHS5

ISO 9001

BUREAU VERITAS
Certification



L
H
S



ALROC

Z.I de la
fonderie
72160 Tuffé
France

Phone :
33.(0)2.43.71.11.80
Fax :
33.(0)2.43.71.16.51
Web : www.alroc.fr
E-mail :
commercial@alroc.fr
info@alroc.fr

FUNCTIONS

LHS tools remove the bonded semi-conductor from the HV cables achieving a very correct surface state

CHARACTERISTICS

☞ Bonded semi-conductor removal

| LHS CHOICE | Ø of the semi-conductor | Ref : | WEIGHT |
|------------|-------------------------|-------|--------|
| | 38 mm to 60 mm | LHS2 | 2 kg |
| | 60 mm to 80 mm | LHS3 | 3 kg |
| | 80 mm to 110 mm | LHS4 | 4,5 kg |
| | 100 mm to 140 mm | LHS5 | 6,5 kg |