



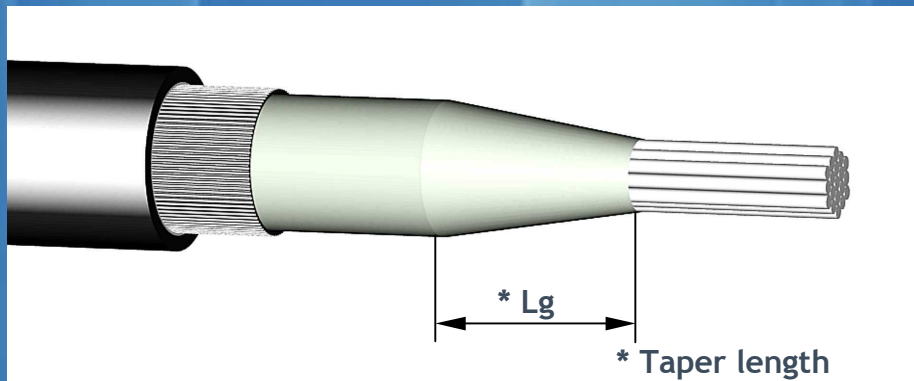
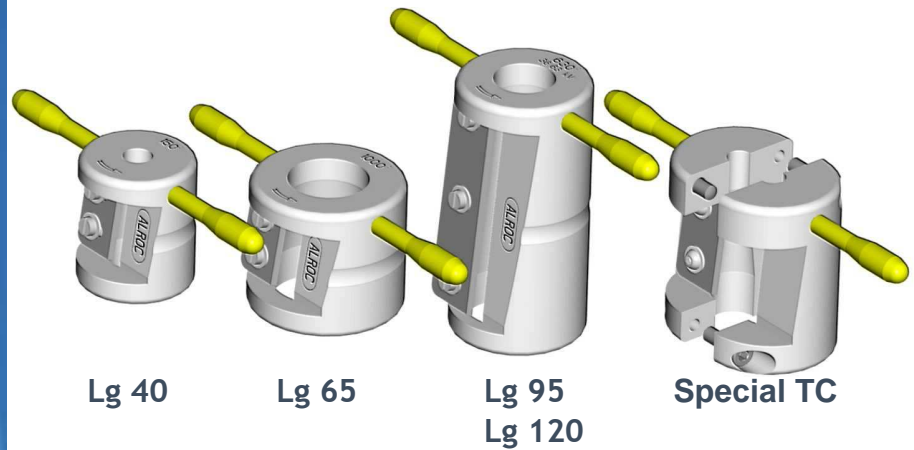
ALROC - MV - Insulation TC

ISO 9001

BUREAU VERITAS
Certification



T
C



ALROC

Z.I de la
fonderie
72160 Tuffé
France

Phone :
33.(0)2.43.71.11.80
Fax :
33.(0)2.43.71.16.51
Web : www.alroc.fr
E-mail :
commercial@alroc.fr
info@alroc.fr

FUNCTIONS

ALROC-TC tools taper the insulation from all medium voltage cables

CHARACTERISTICS

- ☞ ALROC-TC tool is previously adjusted
- ☞ Standard taper length : 30 to 40 mm
- ☞ Ask for special taper lengths : 65 mm, 95 mm, 120 mm ...

<i>Tensions</i>	<i>Conductor sections</i>	<i>Taper length</i>
6 / 10 kv	10 ² to 240 ²	30 to 40mm
8.7 / 15 kv	25 ² to 630 ²	
12 / 20 kv	25 ² to 630 ²	
18 / 30 kv 36 kv and more	50 ² to 1300 ² Ask for special sections	40 - 65 - 95 - 120mm