



ALROC - MV - Insulation TCD2000

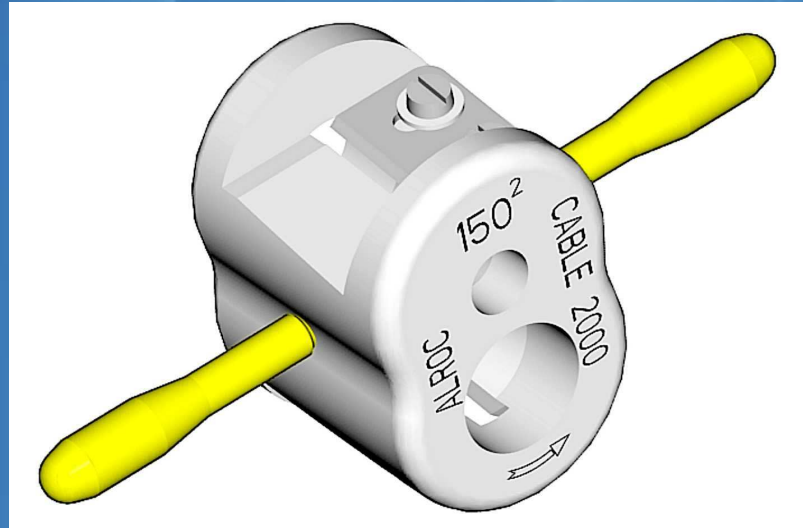
ISO 9001

BUREAU VERITAS
Certification



T
C
D

2000



ALROC

Z.I de la
fonderie
72160 Tuffé
France

Phone :

33.(0)2.43.71.11.80

Fax :

33.(0)2.43.71.16.51

Web : www.alroc.fr

E-mail :

commercial@alroc.fr

info@alroc.fr

FUNCTIONS

TCD2000 is a double section tool especially designed to perform a 30mm to 40mm taper on the cable insulation from cable 2000 (UTE C33-223) with 150mm² and 240mm² sections.

CHARACTERISTICS

- ☞ Insulation tapering
- ☞ ALROC TCD2000 tool is previously adjusted
- ☞ Capacity :
Cable 2000 (UTE C 33-223)
section 150mm² and 240mm²

L : 88 mm

Weight : 610g

ℓ : 70 mm

H : 60 mm